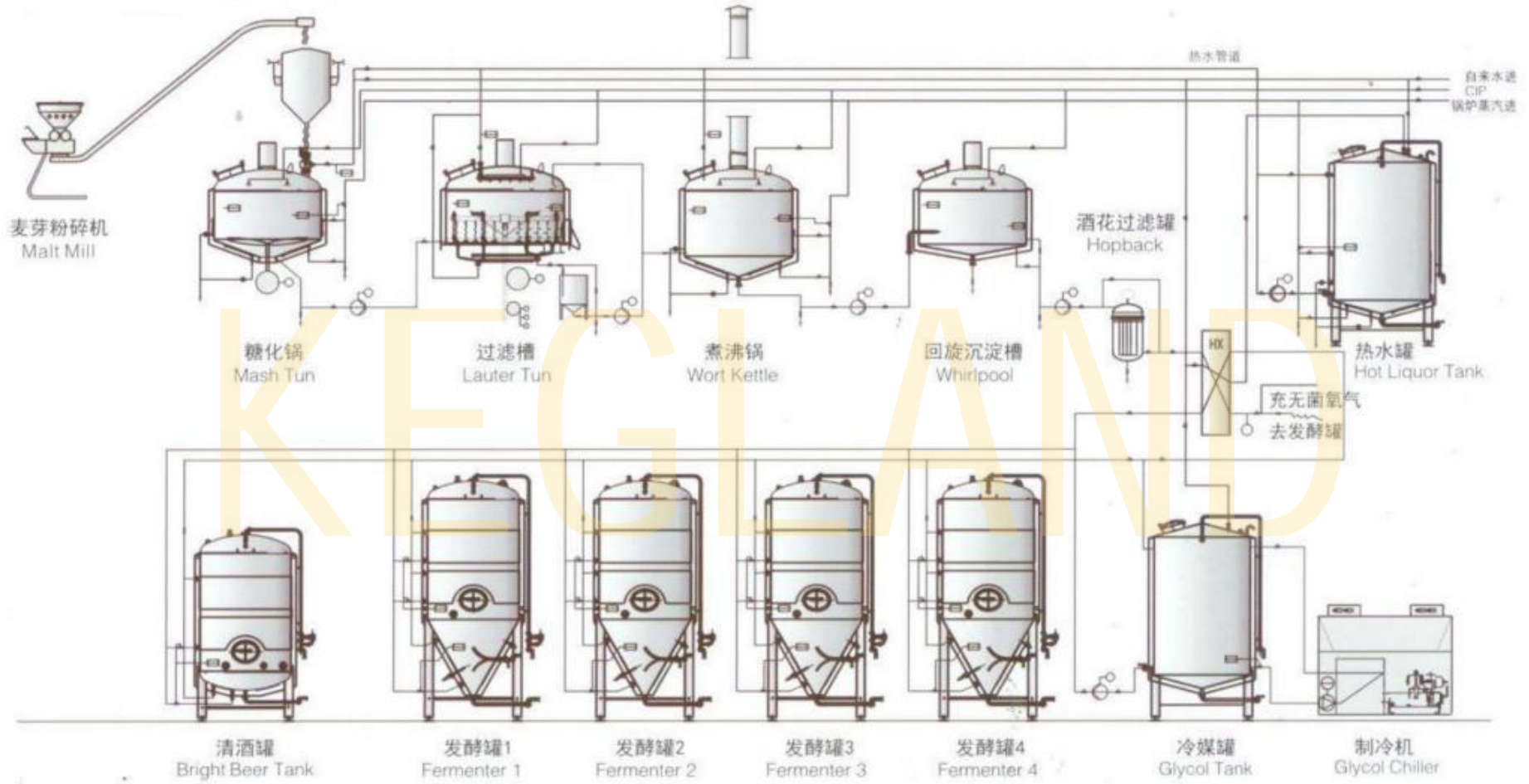


# KegLand

## Conical Fermenter Series of products



# 1. CRAFT BEER PRODUCTION LINE



## 2. PRODUCT INTRODUCTION

- If you are starting a microbrewery or brewpub it's hard to go past these top value conical fermenters. These fermenters are designed to hold pressure so they can be used as bright beer tanks or uni-tanks. They are professionally welded, pressure tested. We have already supplied these to hundreds of breweries around Australia and have many happy customers.
- So if you are looking for a quality made stainless tank which not only will produce high quality beer but also look great in your brewery then look no further.

- **Triple Skin**

1. Inside Skin (Passivated, giving it a Matte look much like our 19L Brand New Kegs. Superior Rust Protection)
2. Dimple Jacket (INCLUDING CONE)
3. 50mm PU Insulated Jacket (Brushed Finish)

- **Pressure Vessel**

This is a unit tank design so the fermenter can be pressurised enabling you to use this not only as a fermenter but also a bright tank. Carbonate and dispense from the one vessel.

- **Beautifully Made/Pro Welded:** If you want a tank that not only performs great but is good looking enough to be the centrepiece of your bar, restaurant, or brewpub.
- **BTop Manway:** For easy cleaning and useful for making late additions to the fermenter.
- **Shadowless Manway:** For easy cleaning and also for best results with CIP cleaning the shadowless manways are simply more sanitary and are the only way to go.
- **CIP Spray Ball:** Geometrically designed to be effective with CIP.
- **4 Inch Tri-Clover Cap**

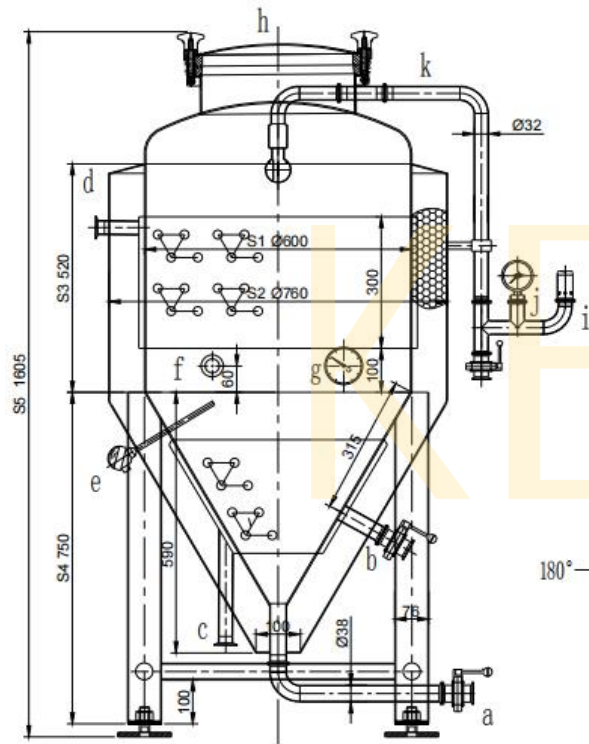
This useful cap has 4inch tri-clover opening at the top which can be useful for dry hopping, late additions, pitching of yeast and many other purposes. We also sell other attachments that can attach to this standard 4inch Tri-Clover Port including:



- a. Lid with pressure relief, ball lock gas post and ball lock liquid post. (Part: KL05890). This can be very useful for extracting a sample from the fermenter or simply applying some gas pressure to the headspace of the fermenter.
  - b. 4 Inch Tri-Clover end Cap. This can be modified for other purposes. (Part: KL04589)
- We have many sizes available. You can see the sizes and more product details below, will quote according to your choice and confirmed drawing:

No.	Serial No.	Description	Effective Volume	Total Volume	Net Dimension	Gross Weight	Manway Type	CIP Arm with spray	Pressure Gauge (on CIP arm)	Pressure Relief Valve	CO2 Blow Off Arm	Spunding Valve	Sample Valve	Temperature Gauge	Carbonation Stone	Beer Discharge Port	Racking Arm (Standard)	Drain Pipe	Glycol water inlet/outlet	Dry hops adding port	Lifting Lug	Ladder hook
1	KL01670	150L Conical Fermenter (pressurisable, jacketed)	150L	195L	Ø760*1600mm	110kg	Top	✓	✓	on CIP Arm	optional	optional	✓	✓	Optional	✓	Optional	✓	✓	optional	N/A	N/A
2	KL01687	200L Conical Fermenter (pressurisable, jacketed)	200L	250L	Ø760*1780mm	140kg	Top	✓	✓	on CIP Arm	optional	optional	✓	✓	Optional	✓	Optional	✓	✓	optional	N/A	N/A
3	KL01694	400L Conical Fermenter (pressurisable, jacketed)	400L	500L	Ø960*2030mm	240kg	Top	✓	✓	on CIP Arm	optional	optional	✓	✓	Optional	✓	Optional	✓	✓	optional	N/A	N/A
4	KL01700	450L Conical Fermenter (pressurisable, jacketed)	450L	560L	Ø1060*2070mm	259kg	Side	✓	✓	on top of tank	✓	✓	✓	✓	Optional	✓	✓	✓	✓	✓	✓	N/A
5	KL01717	600L Conical Fermenter (pressurisable, jacketed)	600L	750L	Ø1060*2300mm	270kg	Side	✓	✓	on top of tank	✓	✓	✓	✓	Optional	✓	✓	✓	✓	✓	✓	N/A
6	KL01724	800L Conical Fermenter (pressurisable, jacketed)	800L	950L	Ø1160*2350mm	300kg	Side	✓	✓	on top of tank	✓	✓	✓	✓	Optional	✓	✓	✓	✓	✓	✓	N/A
7	KL01731	1000L Conical Fermenter (pressurisable, jacketed)	1000L	1260L	Ø1260*2560mm	350kg	Side	✓	✓	on top of tank	✓	✓	✓	✓	Optional	✓	✓	✓	✓	✓	✓	N/A
8	KL01748	1500L Conical Fermenter (pressurisable, jacketed)	1500L	1850L	Ø1360*2890mm	430kg	Side	✓	✓	on top of tank	✓	✓	✓	✓	Optional	✓	✓	✓	✓	✓	✓	N/A
9	KL01755	2000L Conical Fermenter (pressurisable, jacketed)	2000L	2500L	Ø1560*3100mm	550kg	Side	✓	✓	on top of tank	✓	✓	✓	✓	Optional	✓	✓	✓	✓	✓	✓	N/A
10	KL01762	3000L Conical Fermenter (pressurisable, jacketed)	3000L	3750L	Ø1660*3566mm	680kg	Side	✓	✓	on top of tank	✓	✓	✓	✓	Optional	✓	✓	✓	✓	✓	✓	✓
11	KL12317	4000L Conical Fermenter (pressurisable, jacketed)	4000L	5000L	Ø1800*4200mm	850kg	Side	✓	✓	on top of tank	✓	✓	✓	✓	Optional	✓	✓	✓	✓	✓	✓	✓
12	KL25140	10000L Conical Fermenter (pressurisable, jacketed)	10000L	12500L	Ø2200*5920mm	1700kg	Side	✓	✓	on top of tank	✓	✓	✓	✓	Optional	✓	✓	✓	✓	✓	✓	✓
13	KL20282	1000L Bright Tank (pressurisable, jacketed)	1000L	1250L	Ø1260*2150mm	340kg	Side	✓	✓	on top of tank	✓	✓	✓	✓	✓	N/A	N/A	✓	✓	N/A	✓	N/A
14	KL01779	1200L Bright Tank (pressurisable, jacketed)	1200L	1500L	Ø1360*2170mm	380kg	Side	✓	✓	on top of tank	✓	✓	✓	✓	✓	N/A	N/A	✓	✓	N/A	✓	N/A
15	KL23009	1500L Bright Tank (pressurisable, jacketed)	1500L	1900L	Ø1460*2380mm	420kg	Side	✓	✓	on top of tank	✓	✓	✓	✓	✓	N/A	N/A	✓	✓	N/A	✓	N/A
16	KL01786	10BBL Bright Tank (pressurisable, jacketed)	10BBL	12.5BBL	Ø1360*2170mm	380kg	Side	✓	✓	on top of tank	✓	✓	✓	✓	✓	N/A	N/A	✓	✓	N/A	✓	N/A
17	KL01793	2000L Bright Tank (pressurisable, jacketed)	2000L	2500L	Ø1660*2459mm	530kg	Side	✓	✓	on top of tank	✓	✓	✓	✓	✓	N/A	N/A	✓	✓	N/A	✓	N/A
18	KL26543	Dual 400L Horizontal Bright Tank					FRONT	✓	✓	on top of tank	N/A	✓	✓	N/A	✓	N/A	N/A	✓	✓	N/A	N/A	N/A
19	KL01809	2100l hot liquor tank					Side	✓	N/A	N/A	N/A	N/A	N/A	N/A	N/A	N/A	N/A	✓	N/A	N/A	✓	N/A
20	KL22590	BrewZilla 200L					TOP	✓	N/A	N/A	N/A	N/A	✓	N/A	N/A	N/A	N/A	✓	N/A	N/A	N/A	N/A
21	KL13444	600L (6HL) Brewhouse					TOP	✓	N/A	N/A	N/A	N/A	✓	N/A	N/A	N/A	N/A	✓	N/A	N/A	N/A	N/A
22	KL13437	1200L (12HL) Brewhouse					TOP	✓	N/A	N/A	N/A	N/A	✓	N/A	N/A	N/A	N/A	✓	N/A	N/A	✓	N/A
23	KL25515	BrewZilla Micro - 50L Clean in Place (CIP) Cart					TOP	N/A	N/A	N/A	N/A	N/A	N/A	N/A	N/A	N/A	N/A	✓	N/A	N/A	N/A	N/A

## N01. KL01670 150L Conical Fermenter (pressurisable, jacketed)



Key Size		
No.	Name	Size (mm)
S1	Inner Diameter	ø600
S2	Outer Diameter	ø760
S3	Inner Height	H=520
S4	Leg Height	H=750
S5	Total Height	H=1605

Design parameter			
Parameter Name		Container	Jacket
Working Pressure	MPa	0.15	0.1
Design/Test Pressure	MPa	0.25	0.3
Working Temperature	°C	-7-80°C	
Design Temperature	°C	-10-100°C	
Medium		Beer	Glycol water
Material	SUS	304	304
Effective volume	L	150	
Total volume	L	195	
Insulation material		PU	
Insulation thickness	mm	80	

Pipe / Port			
Mark	Size	Face type	Description
a	ø38	Tri-clamp	Discharge outlet
b	ø38	Tri-clamp	Beer outlet
c	ø32	Tri-clamp	Glycol water inlet
d	ø32	Tri-clamp	Glycol water outlet
e	ø8		Temperature probe
f	ø32	Tri-clamp	Sampling Port
g	ø32	Tri-clamp	Thermometer port
h	ø350		Flange Manhole
i	ø32	Tri-clamp	Pressure relief valve
j	ø32	Tri-clamp	Pressure Gauge port
k	ø32	Tri-clamp	CIP arm



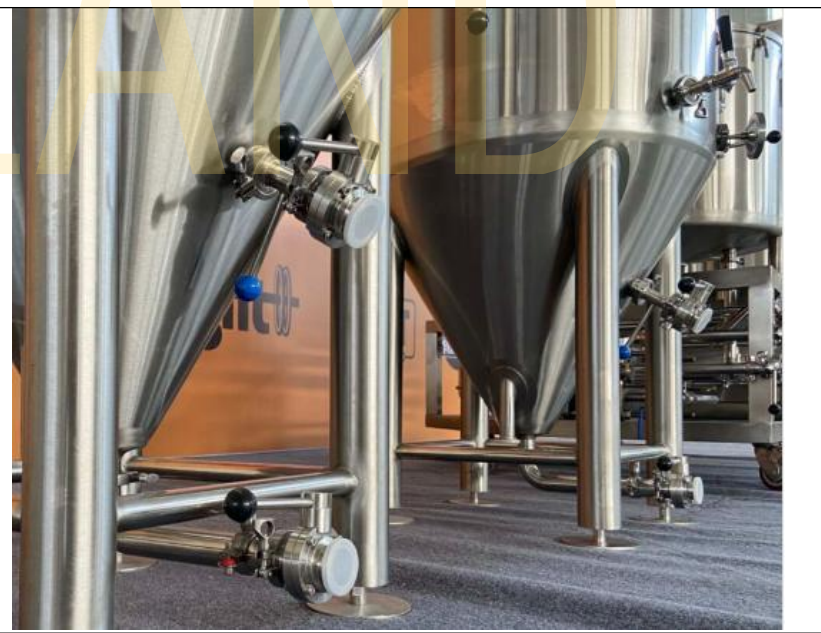
## N02. KL01687 200L Conical Fermenter (pressurisable, jacketed)

The drawing shows a side view of the fermenter with a total height of 1780 mm and an inner diameter of 600 mm. The conical bottom has a height of 750 mm. Various ports and valves are labeled with letters a through k. Dimensions for the main body and jacket are provided.

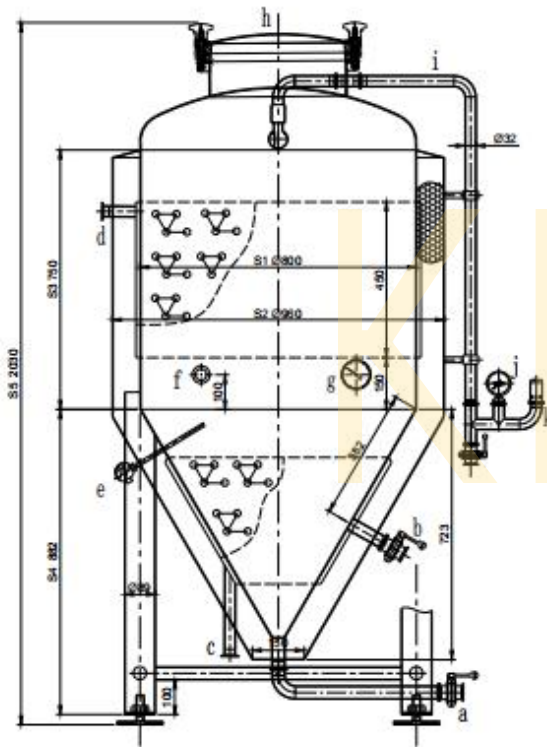
Key Size		
No.	Name	Size (mm)
S1	Inner Diameter	ø600
S2	Outer Diameter	ø760
S3	Inner Height	H=700
S4	Leg Height	H=750
S5	Total Height	H=1780

Design parameter			
Parameter Name		Container	Jacket
Working Pressure	MPa	0.15	0.1
Design/Test Pressure	MPa	0.25	0.3
Working Temperature	°C	-7-80°C	
Design Temperature	°C	-10-100°C	
Medium		Beer	Glycol water
Material	SUS	304	304
Effective volume	L	200	
Total volume	L	250	
Insulation material		PU	
Insulation thickness	mm	80	

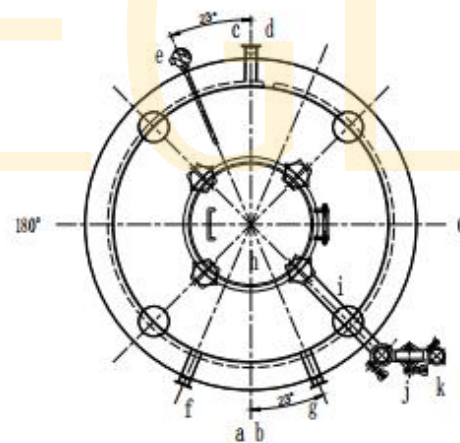
Pipe / Port			
Mark	Size	Face type	Description
a	ø38	Tri-clamp	Discharge outlet
b	ø38	Tri-clamp	Beer outlet
c	ø32	Tri-clamp	Glycol water inlet
d	ø32	Tri-clamp	Glycol water outlet
e	ø8		Temperature probe
f	ø32	Tri-clamp	Sampling Port
g	ø32	Tri-clamp	Pressure relief valve
h	ø350		Flange Manhole
i	ø32	Tri-clamp	CIP arm
j	ø32	Tri-clamp	Pressure Gauge port
k	ø32	Tri-clamp	Thermometer port



## N03. KL01694 400L Conical Fermenter (pressurisable, jacketed)



Key Size		
No.	Name	Size (mm)
S1	Inner Diameter	ø800
S2	Outer Diameter	ø960
S3	Inner Height	H=750
S4	Leg Height	H=882
S5	Total Height	H=2030



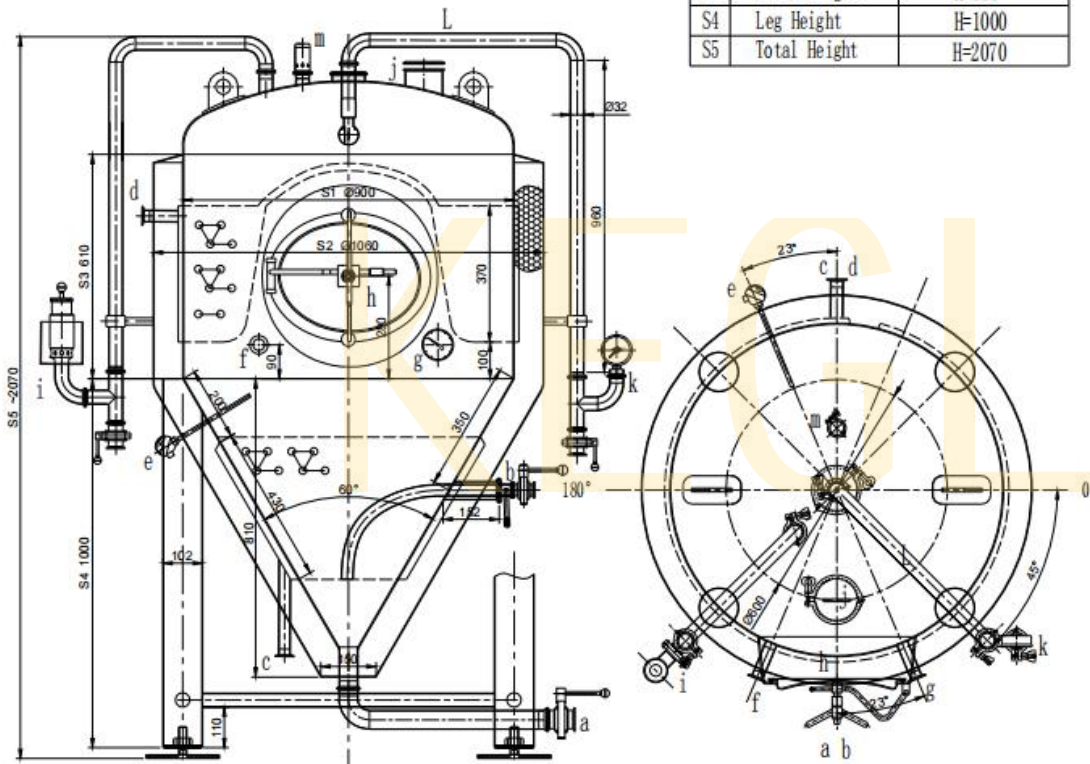
Design parameter			
Parameter Name		Container	Jacket
Working Pressure	MPa	0.15	0.1
Design/Test Pressure	MPa	0.25	0.3
Working Temperature	°C	-7-80°C	
Design Temperature	°C	-10-100°C	
Medium		Beer	Glycol water
Material	SUS	304	304
Effective volume	L	400	
Total volume	L	500	
Insulation material		PU	
Insulation thickness	mm	80	

Pipe / Port			
Mark	Size	Face type	Description
a	ø38	Tri-clamp	Discharge outlet
b	ø38	Tri-clamp	Beer outlet
c	ø32	Tri-clamp	Glycol water inlet
d	ø32	Tri-clamp	Glycol water outlet
e	ø8		Thermowell
f	ø32	Tri-clamp	Sampling Port
g	ø32	Tri-clamp	Pressure relief valve
h	ø400		Flange Manhole
i	ø32	Tri-clamp	CIP arm
j	ø32	Tri-clamp	Pressure Gauge port
K	ø32	Tri-clamp	Pressure relief valve



## N04. KL01700 450L Conical Fermenter (pressurisable, jacketed)

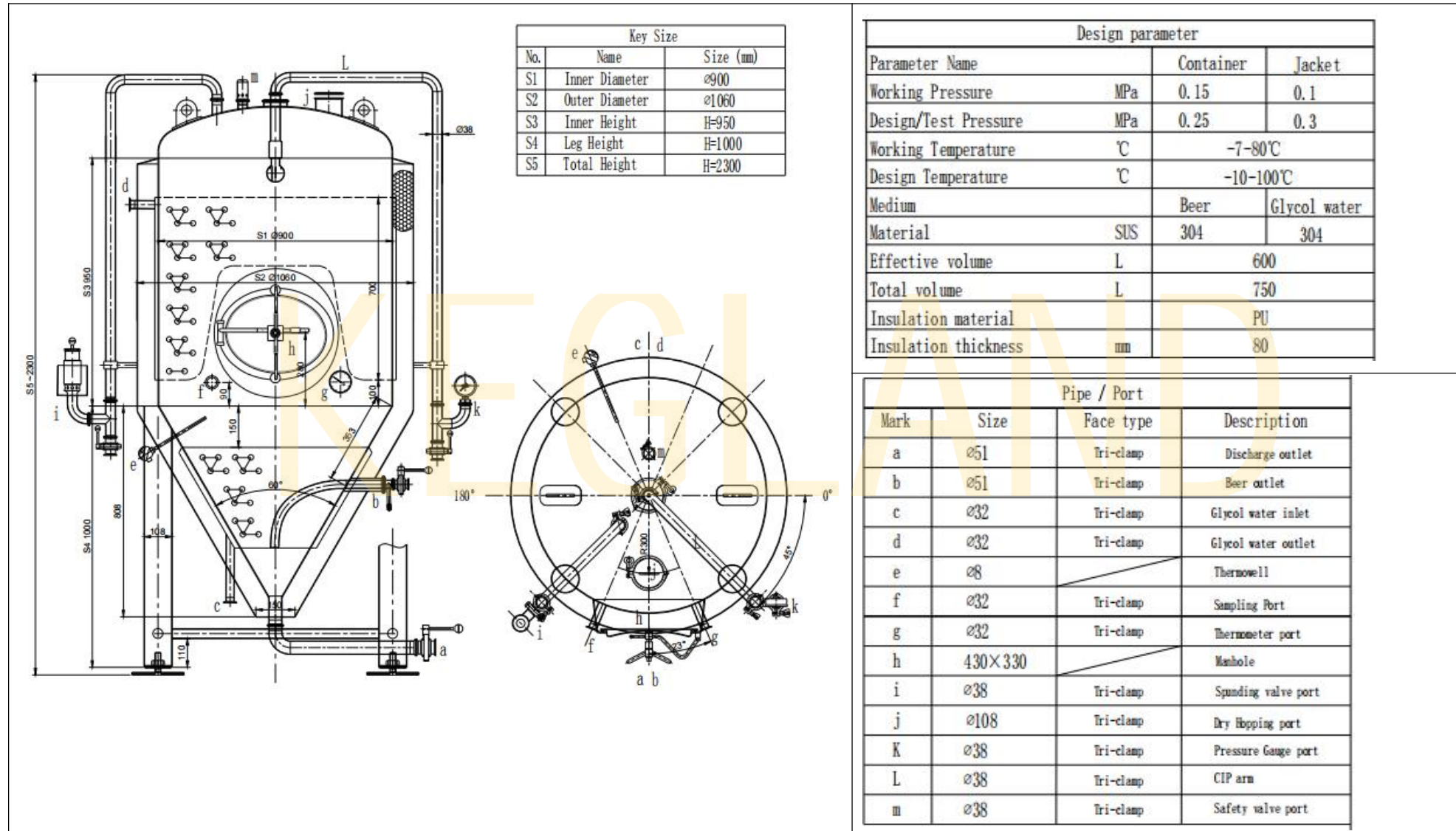
Key Size		
No.	Name	Size (mm)
S1	Inner Diameter	∅900
S2	Outer Diameter	∅1060
S3	Inner Height	H=610
S4	Leg Height	H=1000
S5	Total Height	H=2070



Design parameter			
Parameter Name		Container	Jacket
Working Pressure	MPa	0.15	0.1
Design/Test Pressure	MPa	0.25	0.3
Working Temperature	°C	-7-80°C	
Design Temperature	°C	-10-100°C	
Medium		Beer	Glycol water
Material	SUS	304	304
Effective volume	L	450	
Total volume	L	560	
Insulation material		PU	
Insulation thickness	mm	80	

Pipe / Port			
Mark	Size	Face type	Description
a	∅51	Tri-clamp	Discharge outlet
b	∅51	Tri-clamp	Beer outlet
c	∅32	Tri-clamp	Glycol water inlet
d	∅32	Tri-clamp	Glycol water outlet
e	∅8		Thermowell
f	∅32	Tri-clamp	Sampling Port
g	∅32	Tri-clamp	Thermometer port
h	430×330		Manhole
i	∅32	Tri-clamp	Spunding valve port
j	∅108	Tri-clamp	Dry Hopping port
K	∅32	Tri-clamp	Pressure Gauge port
L	∅32	Tri-clamp	CIP arm
m	∅32	Tri-clamp	Safety valve port

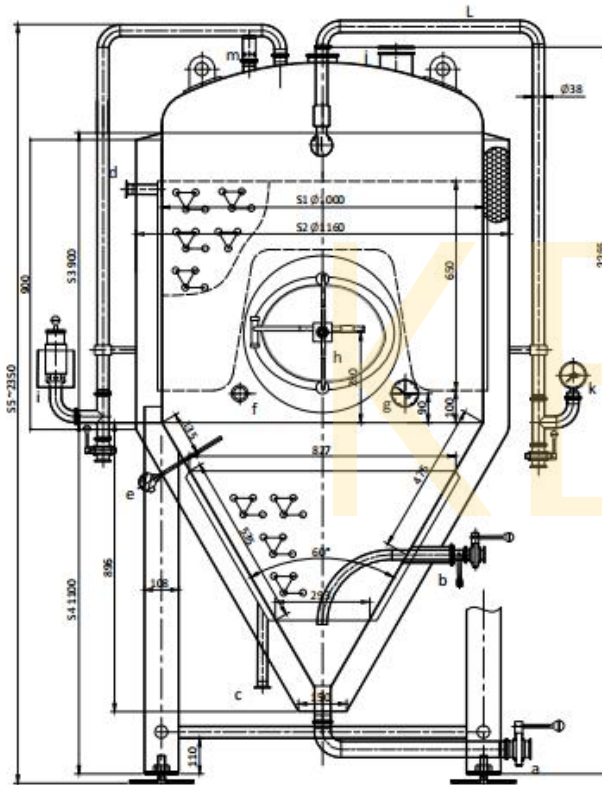
## N05. KL01717 600L Conical Fermenter (pressurisable, jacketed)



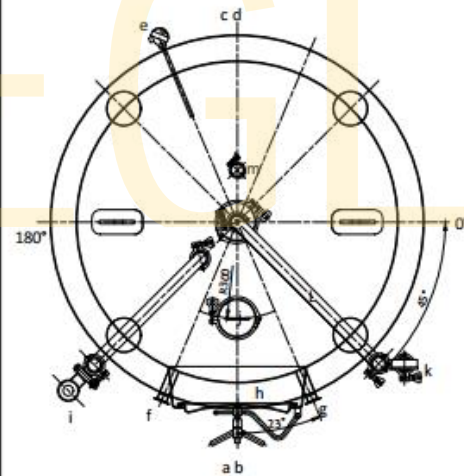




## N06. KL01724 800L Conical Fermenter (pressurisable, jacketed)



Key Size		
No.	Name	Size (mm)
S1	Inner Diameter	Ø1000
S2	Outer Diameter	Ø1160
S3	Inner Height	H=900
S4	Leg Height	H=1100
S5	Total Height	H=2350



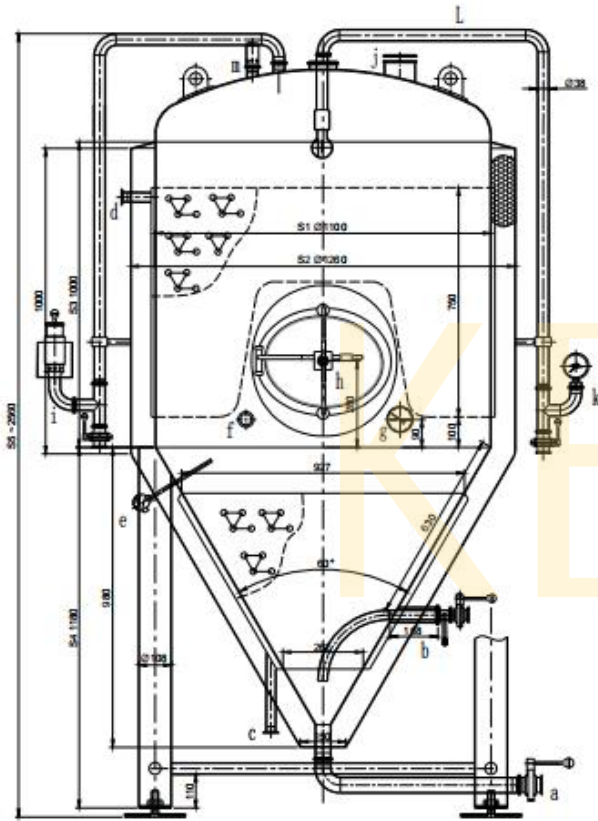
Design parameter		
Parameter Name	Container	Jacket
Working Pressure	MPa 0.15	0.1
Design/Test Pressure	MPa 0.25	0.3
Working Temperature	°C -7-80°C	
Design Temperature	°C -10-100°C	
Medium	Beer	Glycol water
Material	SUS 304	304
Effective volume	L 800	
Total volume	L 950	
Insulation material	PU	
Insulation thickness	mm 80	

Mark	Size	Pipe / Port		Description
		Size	Type	
a	Ø51	2"	Tri-clamp	Discharge outlet
b	Ø51	2"	Tri-clamp	Beer outlet
c	Ø32	1.5"	Tri-clamp	Glycol water inlet
d	Ø32	1.5"	Tri-clamp	Glycol water outlet
e	Ø8			Thermowell
f	Ø32	1.5"	Tri-clamp	Sampling Port
g	Ø32	1.5"	Tri-clamp	Thermometer port
h	430x330			Manhole
i	Ø38	1.5"	Tri-clamp	Spunding valve port
j	Ø108	4-1/4"	Tri-clamp	Dry Hopping port
k	Ø38	1.5"	Tri-clamp	Pressure Gauge port
L	Ø38	1.5"	Tri-clamp	CIP arm
m	Ø38	1.5"	Tri-clamp	Safety valve port

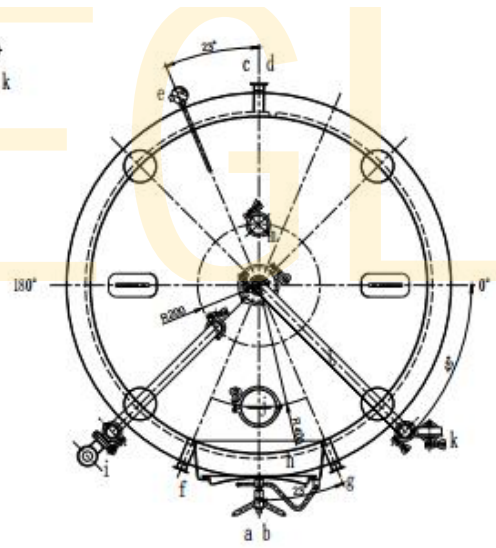




## N07. KL01731 1000L Conical Fermenter (pressurisable, jacketed)



Key Size		
No.	Name	Size (mm)
S1	Inner Diameter	∅1100
S2	Outer Diameter	∅1260
S3	Inner Height	H=1000
S4	Leg Height	H=1180
S5	Total Height	H=2560

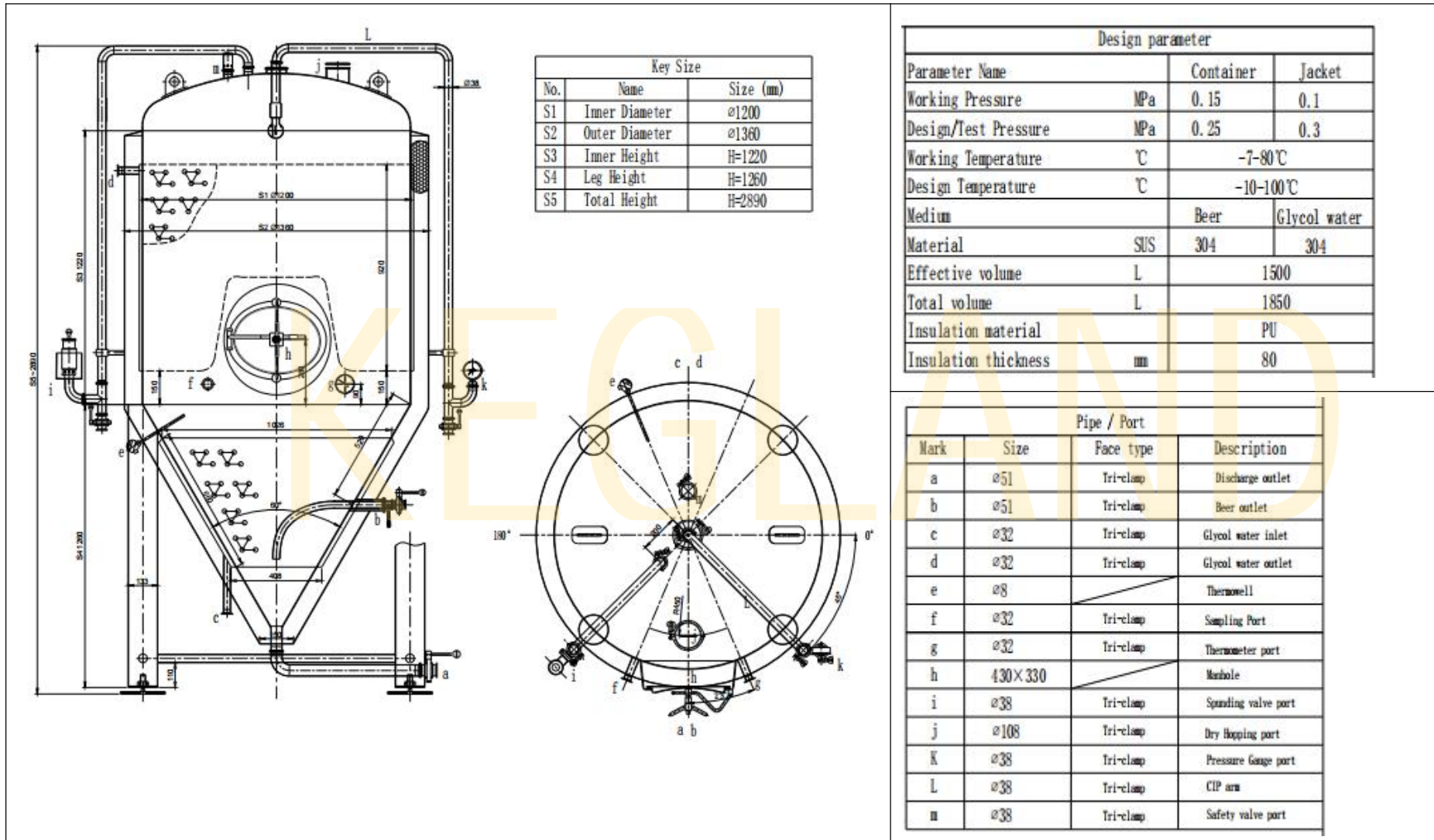


Design parameter			
Parameter Name		Container	Jacket
Working Pressure	MPa	0.15	0.1
Design/Test Pressure	MPa	0.25	0.3
Working Temperature	℃	-7-80℃	
Design Temperature	℃	-10-100℃	
Medium		Beer	Glycol water
Material	SUS	304	304
Effective volume	L	1000	
Total volume	L	1260	
Insulation material		PU	
Insulation thickness	mm	80	

Pipe / Port			
Mark	Size	Face type	Description
a	∅51	Tri-clamp	Discharge outlet
b	∅51	Tri-clamp	Beer outlet
c	∅32	Tri-clamp	Glycol water inlet
d	∅32	Tri-clamp	Glycol water outlet
e	∅8		Thermowell
f	∅32	Tri-clamp	Sampling Port
g	∅32	Tri-clamp	Thermometer port
h	430×330		Manhole
i	∅38	Tri-clamp	Sounding valve port
j	∅108	Tri-clamp	Dry Hopping port
K	∅38	Tri-clamp	Pressure Gauge port
L	∅38	Tri-clamp	CIP arm
m	∅38	Tri-clamp	Safety valve port



## N08. KL01748 1500L Conical Fermenter (pressurisable, jacketed)

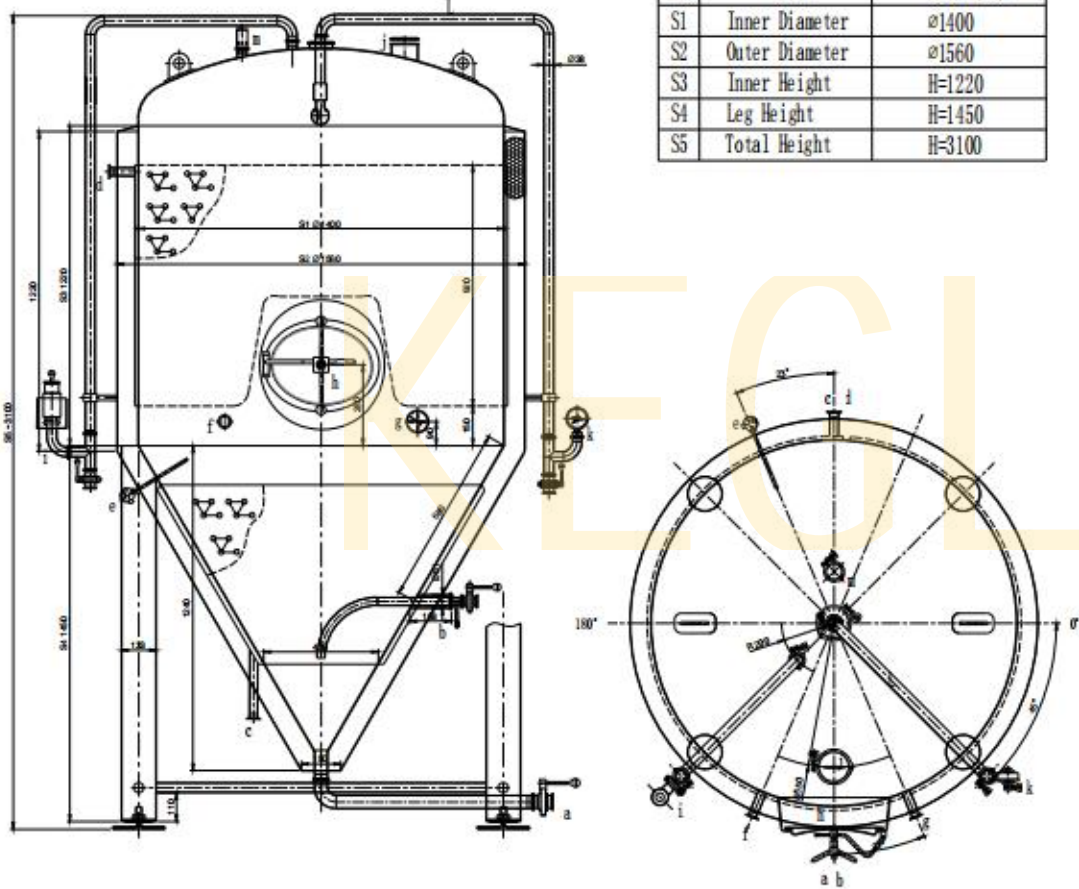


## N09. KL01755 2000L Conical Fermenter (pressurisable, jacketed)

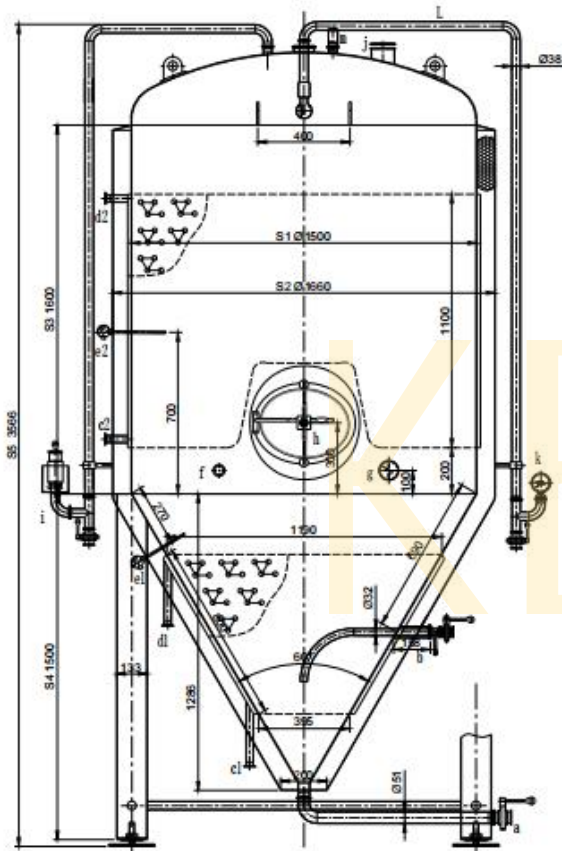
Key Size		
No.	Name	Size (mm)
S1	Inner Diameter	ø1400
S2	Outer Diameter	ø1560
S3	Inner Height	H=1220
S4	Leg Height	H=1450
S5	Total Height	H=3100

Design parameter			
Parameter Name		Container	Jacket
Working Pressure	MPa	0.15	0.1
Design/Test Pressure	MPa	0.25	0.3
Working Temperature	°C	-7-80°C	
Design Temperature	°C	-10-100°C	
Medium		Beer	Glycol water
Material	SUS	304	304
Effective volume	L	2000	
Total volume	L	2500	
Insulation material		PU	
Insulation thickness	mm	80	

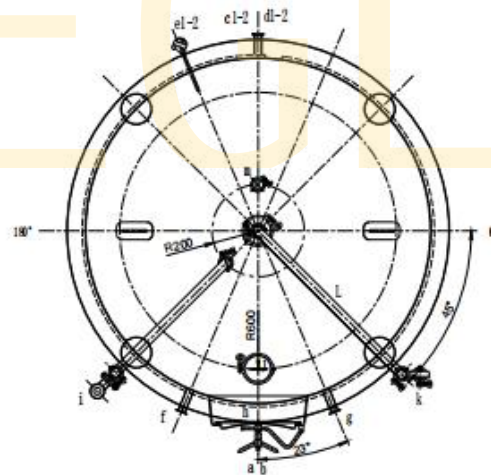
Pipe / Port			
Mark	Size	Face type	Description
a	ø51	Tri-clamp	Discharge outlet
b	ø51	Tri-clamp	Beer outlet
c	ø32	Tri-clamp	Glycol water inlet
d	ø32	Tri-clamp	Glycol water outlet
e	ø8		Temperature probe
f	ø32	Tri-clamp	Sampling Port
g	ø32	Tri-clamp	Thermometer port
h	430×330		Manhole
i	ø38	Tri-clamp	Sunding valve port
j	ø108	Tri-clamp	Dry Hopping port
k	ø38	Tri-clamp	Pressure Gauge port
L	ø38	Tri-clamp	CIP arm
m	ø38	Tri-clamp	Safety valve port



## N010. KL01762 3000L Conical Fermenter (pressurisable, jacketed)



Key Size		
No.	Name	Size (mm)
S1	Inner Diameter	ø1500
S2	Outer Diameter	ø1660
S3	Inner Height	H=1600
S4	Leg Height	H=1500
S5	Total Height	H=3566

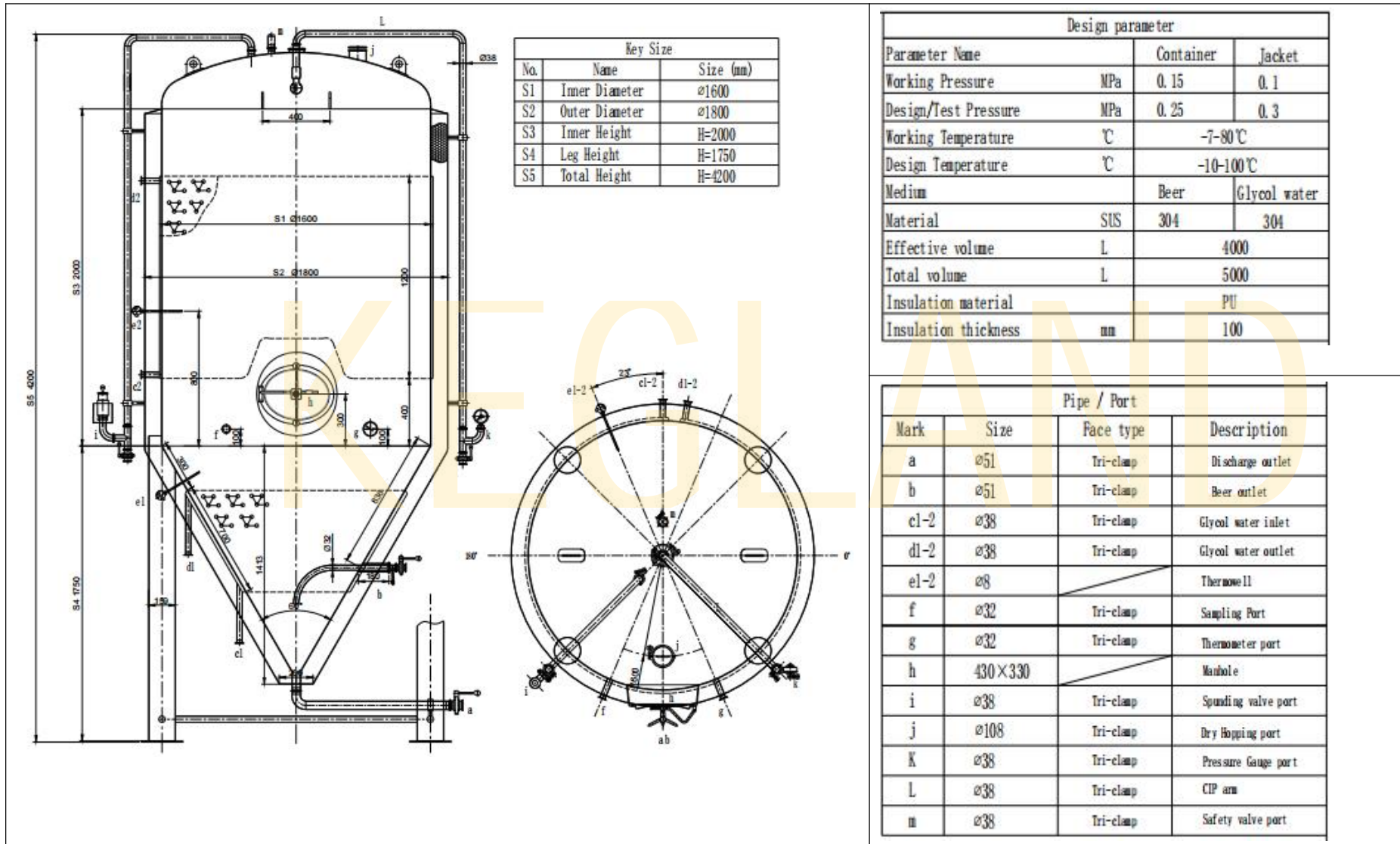


Design parameter			
Parameter Name		Container	Jacket
Working Pressure	MPa	0.15	0.1
Design/Test Pressure	MPa	0.25	0.3
Working Temperature	°C	-7-80°C	
Design Temperature	°C	-10-100°C	
Medium		Beer	Glycol water
Material	SUS	304	304
Effective volume	L	3000	
Total volume	L	3750	
Insulation material		PU	
Insulation thickness	mm	80	

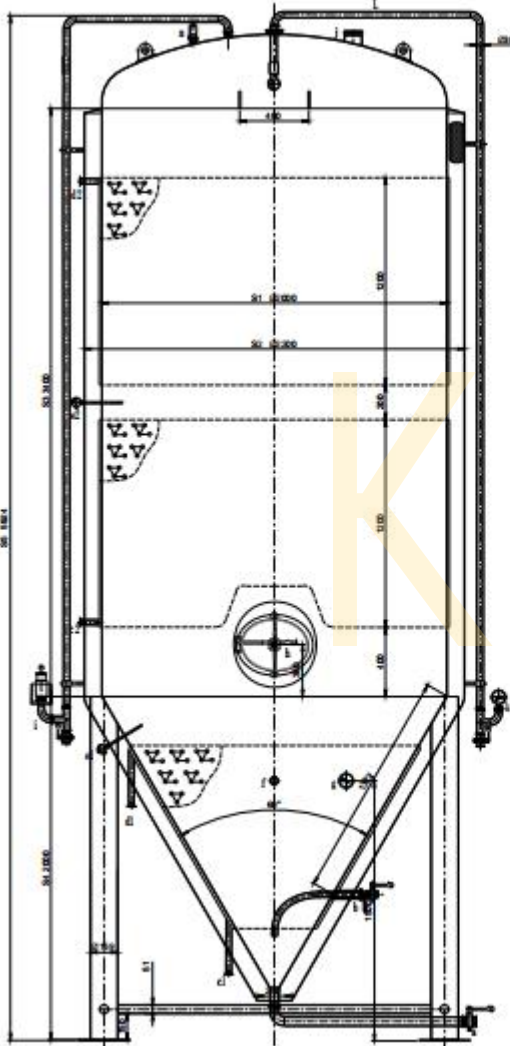
Pipe / Port			
Mark	Size	Face type	Description
a	ø51	Tri-clamp	Discharge outlet
b	ø51	Tri-clamp	Beer outlet
cl-2	ø38	Tri-clamp	Glycol water inlet
dl-2	ø38	Tri-clamp	Glycol water outlet
e1-2	ø8		Thermowell
f	ø32	Tri-clamp	Sampling Port
g	ø32	Tri-clamp	Thermometer port
h	430×330		Manhole
i	ø38	Tri-clamp	Sounding valve port
j	ø108	Tri-clamp	Dry Hopping port
K	ø38	Tri-clamp	Pressure Gauge port
L	ø38	Tri-clamp	CIP arm
m	ø38	Tri-clamp	Safety valve port



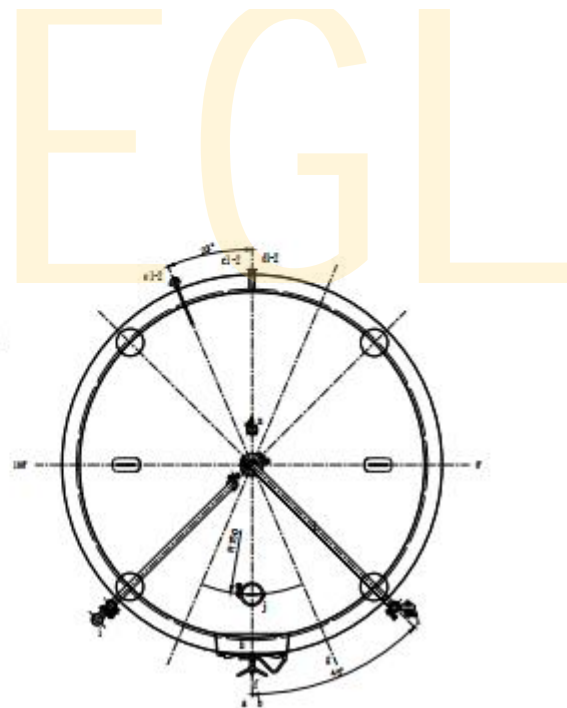
## N011. KL12317 4000L Conical Fermenter (pressurisable, jacketed)



## N012. KL25140 10000L Conical Fermenter (pressurisable, jacketed)



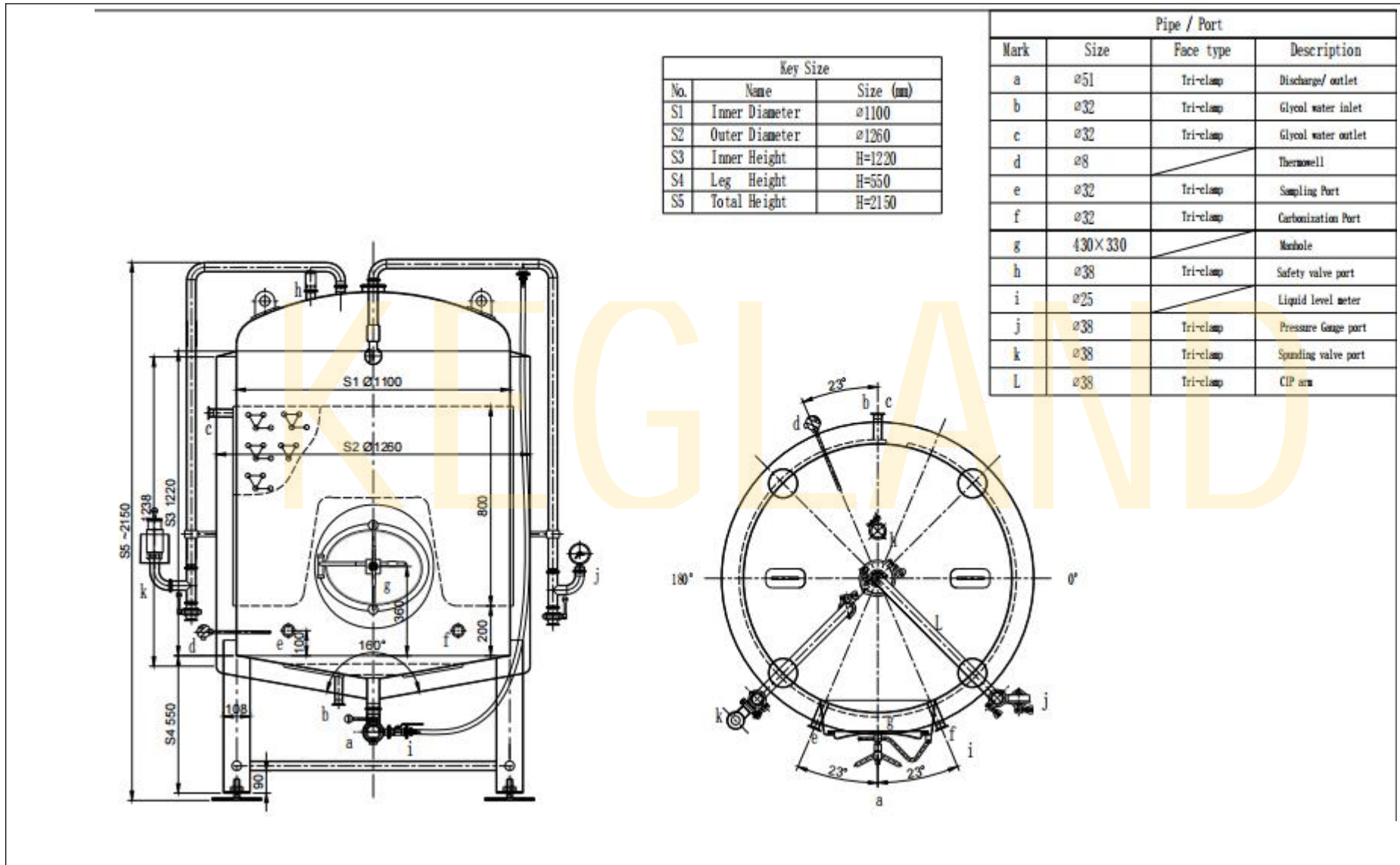
Key Size		
No.	Name	Size (mm)
S1	Inner Diameter	∅2000
S2	Outer Diameter	∅2300
S3	Inner Height	H=3400
S4	Leg Height	H=2000
S5	Total Height	H=5924



Design parameter			
Parameter Name		Container	Jacket
Working Pressure	MPa	0.15	0.1
Design/Test Pressure	MPa	0.25	0.3
Working Temperature	°C	-7-80°C	
Design Temperature	°C	-10-100°C	
Medium		Beer	Glycol water
Material	SUS	304	304
Effective volume	L	10000	
Total volume	L	12500	
Insulation material		PU	
Insulation thickness	mm	100	

Pipe / Port			
Mark	Size	Face type	Description
a	∅51	Tri-clamp	Discharge outlet
b	∅51	Tri-clamp	Beer outlet
c1-2	∅32	Tri-clamp	Glycol water inlet
d1-2	∅32	Tri-clamp	Glycol water outlet
e1-2	∅8		Temperature probe
f	∅32	Tri-clamp	Sampling Part
g	∅32	Tri-clamp	Thermometer part
h	430×330		Manhole
i	∅38	Tri-clamp	Spunding valve port
j	∅108	Tri-clamp	Dry Hopping part
k	∅38	Tri-clamp	Pressure Gauge port
L	∅38	Tri-clamp	CIP arm
m	∅38	Tri-clamp	Safety valve port

## N013. KL20282 1000L Bright Tank (pressurisable, jacketed)





## N014. KL01779 1200L Bright Tank (pressurisable, jacketed)

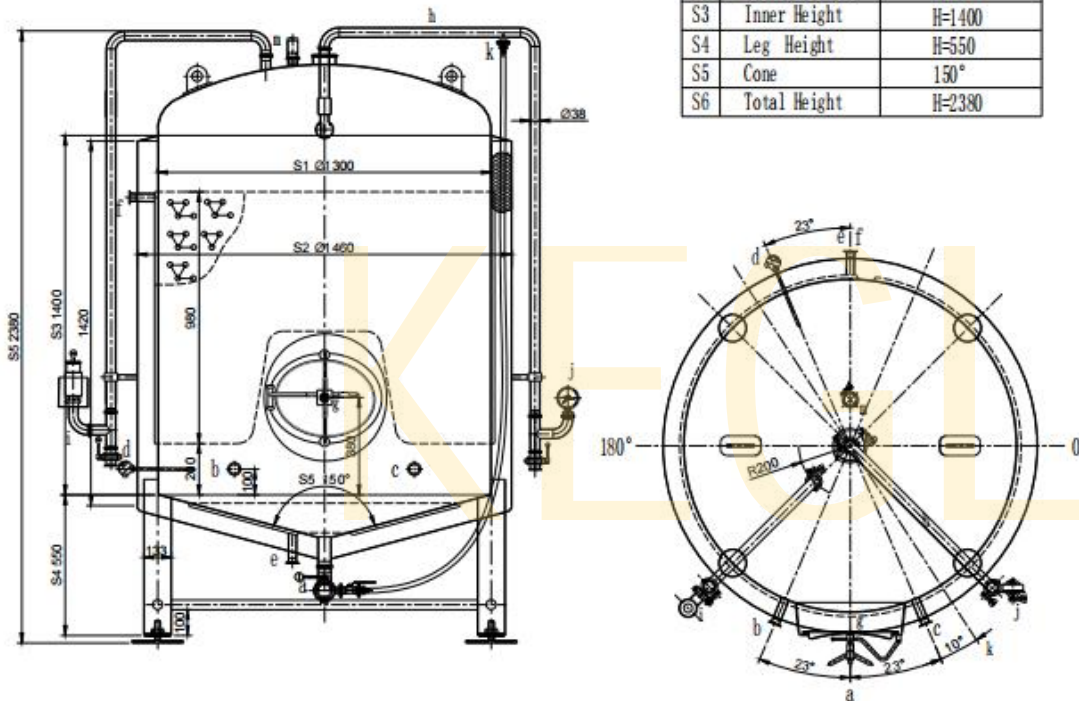
Key Size		
No.	Name	Size (mm)
S1	Inner Diameter	ø1200
S2	Outer Diameter	ø1360
S3	Inner Height	H=1220
S4	Leg Height	H=550
S5	Cone	150°
S6	Total Height	H=2170

Design parameter			
Parameter Name		Container	Jacket
Working Pressure	MPa	0.15	0.1
Design/Test Pressure	MPa	0.25	0.3
Working Temperature	°C	-7-80°C	
Design Temperature	°C	-10-100°C	
Medium		Beer	Glycol water
Material	SUS	304	304
Effective volume	L	1200	
Total volume	L	1500	
Insulation material		PU	
Insulation thickness	mm	80	

Pipe / Port			
Mark	Size	Face type	Description
a	ø51	Tri-clamp	Discharge/beer out let
b	ø32	Tri-clamp	Sampling Port
c	ø32	Tri-clamp	Carbonization Port
d	ø8		Thermowell
e	ø32	Tri-clamp	Glycol water inlet
f	ø32	Tri-clamp	Glycol water out let
g	430×330		Manhole
h	ø32	Tri-clamp	CIP arm
i	ø32	Tri-clamp	Pressure Gauge port
j	ø32	Tri-clamp	Spunding valve port
k	ø25	Tri-clamp	Liquid level meter
L	ø38	Tri-clamp	Safety valve port

## N015. KL23009 1500L Bright Tank (pressurisable, jacketed)



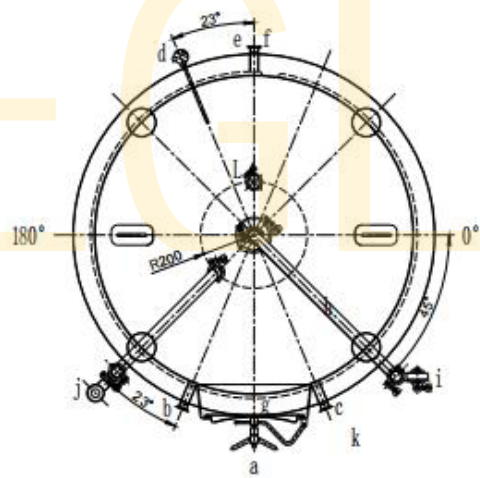
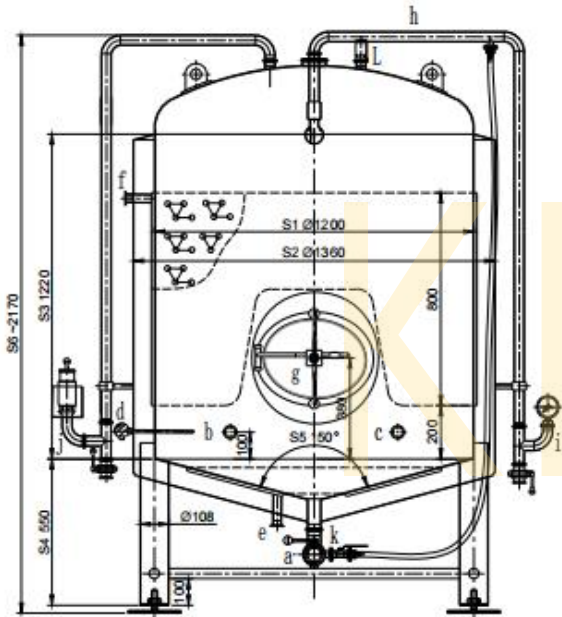
Key Size		
No.	Name	Size (mm)
S1	Inner Diameter	∅1300
S2	Outer Diameter	∅1460
S3	Inner Height	H=1400
S4	Leg Height	H=550
S5	Cone	150°
S6	Total Height	H=2380

Design parameter			
Parameter Name		Container	Jacket
Working Pressure	MPa	0.15	0.1
Design/Test Pressure	MPa	0.25	0.3
Working Temperature	°C	-7-80°C	
Design Temperature	°C	-10-100°C	
Medium		Beer	Glycol water
Material	SUS	304	304
Effective volume	L	1500	
Total volume	L	1900	
Insulation material		PU	
Insulation thickness	mm	80	

Pipe / Port			
Mark	Size	Face type	Description
a	∅51	Tri-clamp	Discharge/beer outlet
b	∅32	Tri-clamp	Sampling Port
c	∅32	Tri-clamp	Carbonization Port
d	∅8		Temperature probe
e	∅32	Tri-clamp	Glycol water inlet
f	∅32	Tri-clamp	Glycol water outlet
g	430×330		Manhole
h	∅38	Tri-clamp	CIP arm
i	∅38	Tri-clamp	Spunding valve port
j	∅38	Tri-clamp	Pressure Gauge port
k	∅25	Tri-clamp	Liquid level meter
m	∅38	Tri-clamp	Safety valve port

## N016. KL01786 10BBL Bright Tank (pressurisable, jacketed)

Key Size		
No.	Name	Size (mm)
S1	Inner Diameter	ø1200
S2	Outer Diameter	ø1360
S3	Inner Height	H=1220
S4	Leg Height	H=550
S5	Cone	150°
S6	Total Height	H=2170

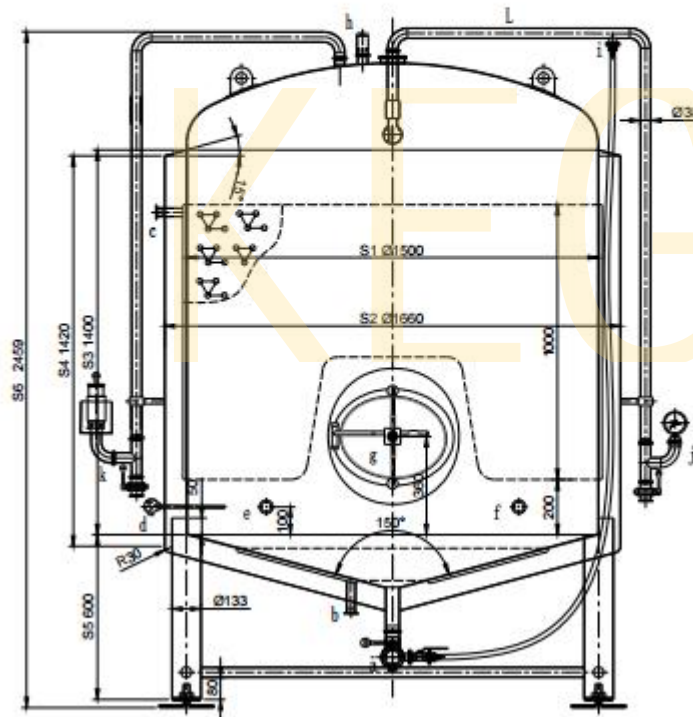


Design parameter			
Parameter Name		Container	Jacket
Working Pressure	MPa	0.15	0.1
Design/Test Pressure	MPa	0.25	0.3
Working Temperature	°C	-7-80°C	
Design Temperature	°C	-10-100°C	
Medium		Beer	Glycol water
Material	SUS	304	304
Effective volume	BBL	10	
Total volume	BBL	12.5	
Insulation material		PU	
Insulation thickness	mm	80	

Pipe / Port			
Mark	Size	Face type	Description
a	ø51	Tri-clamp	Discharge/beer outlet
b	ø32	Tri-clamp	Sampling Port
c	ø32	Tri-clamp	Carbonization Port
d	ø8		Thermowell
e	ø32	Tri-clamp	Glycol water inlet
f	ø32	Tri-clamp	Glycol water outlet
g	430×330		Manhole
h	ø32	Tri-clamp	CIP arm
i	ø32	Tri-clamp	Pressure Gauge part
j	ø32	Tri-clamp	Spunding valve port
k	ø25	Tri-clamp	Liquid level meter
L	ø38	Tri-clamp	Safety valve port

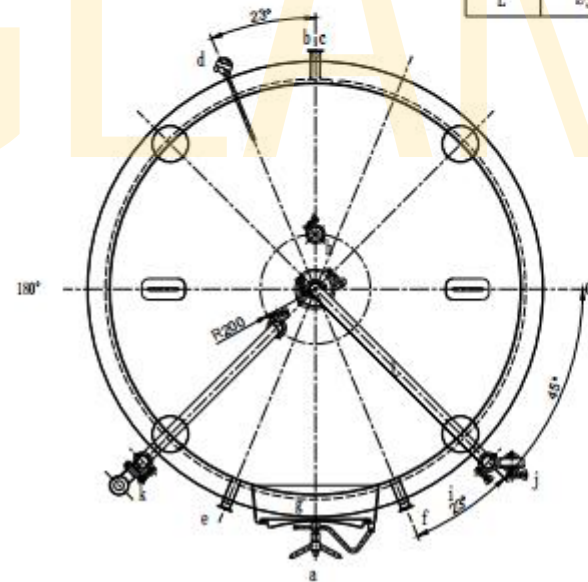


## N017. KL01793 2000L Bright Tank (pressurisable, jacketed)



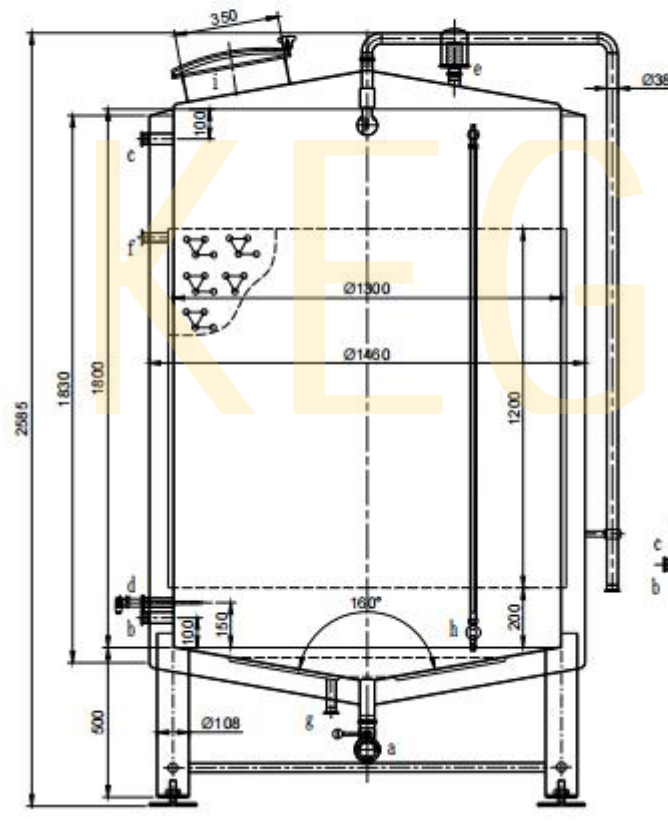
Key Size		
No.	Name	Size (mm)
S1	Inner Diameter	1500
S2	Outer Diameter	1660
S3	Inner Height	H=1400
S4	Outer Height	H=1420
S5	Leg Height	H=600
S6	Total Height	H=2459

Pipe / Port			
Mark	Size	Face type	Description
a	∅51	Tri-clamp	Discharge/ outlet
b	∅32	Tri-clamp	Glycol water inlet
c	∅32	Tri-clamp	Glycol water outlet
d	∅8		Thermowell
e	∅32	Tri-clamp	Sampling Port
f	∅32	Tri-clamp	Carbonization Port
g	430×330		Manhole
h	∅38	Tri-clamp	Safety valve port
i	∅25		Liquid level meter
j	∅38	Tri-clamp	Pressure Gauge port
k	∅38	Tri-clamp	Spunding valve port
L	∅38	Tri-clamp	CIP arm



Effective volume 2000 L  
Total volume 2500 L

## N019. KL01809 2100L Hot Liquor Tank

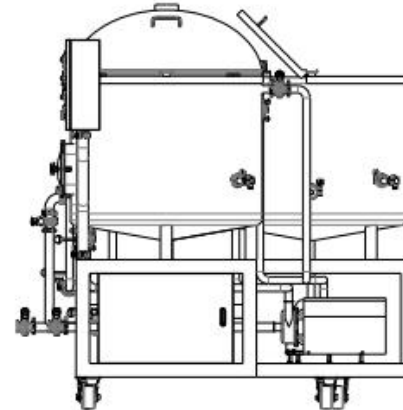
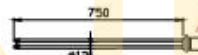
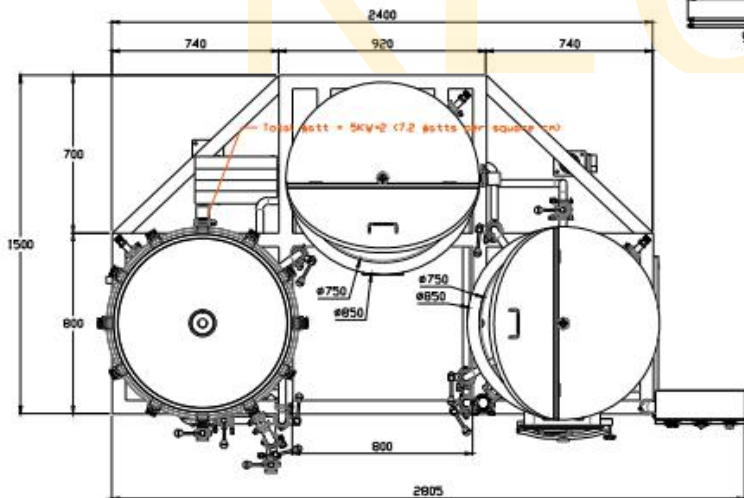
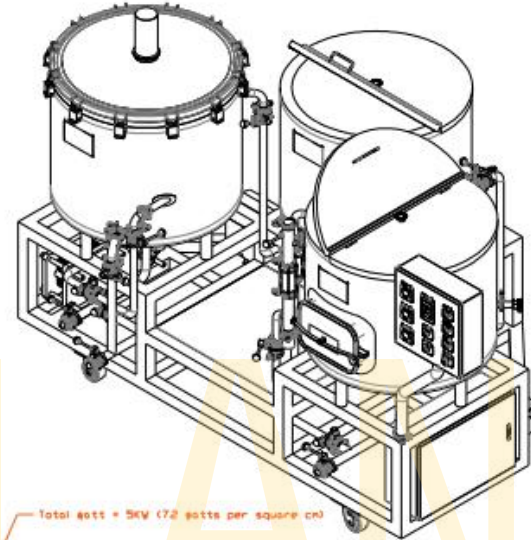
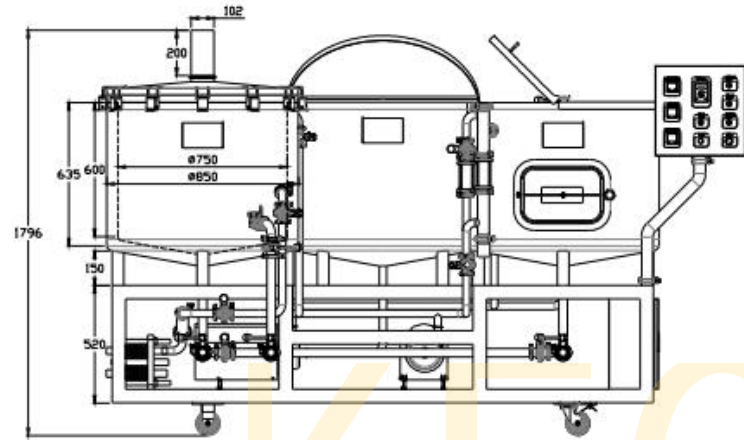


Pipe / Port			
Mark	Size	Face type	Description
a	ø51	Tri-clamp	Discharge outlet
b	ø38	Tri-clamp	Hot water outlet
c	ø38	Tri-clamp	Hot water inlet
d	ø25	Tri-clamp	Thermowell
e	ø38	Tri-clamp	Vent port
f	ø32	Tri-clamp	Steam inlet
g	ø32	Tri-clamp	Steam outlet
h	ø25	Tri-clamp	Level indicator
i	ø350		Man hole

Total volume : 2500 L

Net volume : 2100 L

# N020. KL22590 BrewZilla 200L

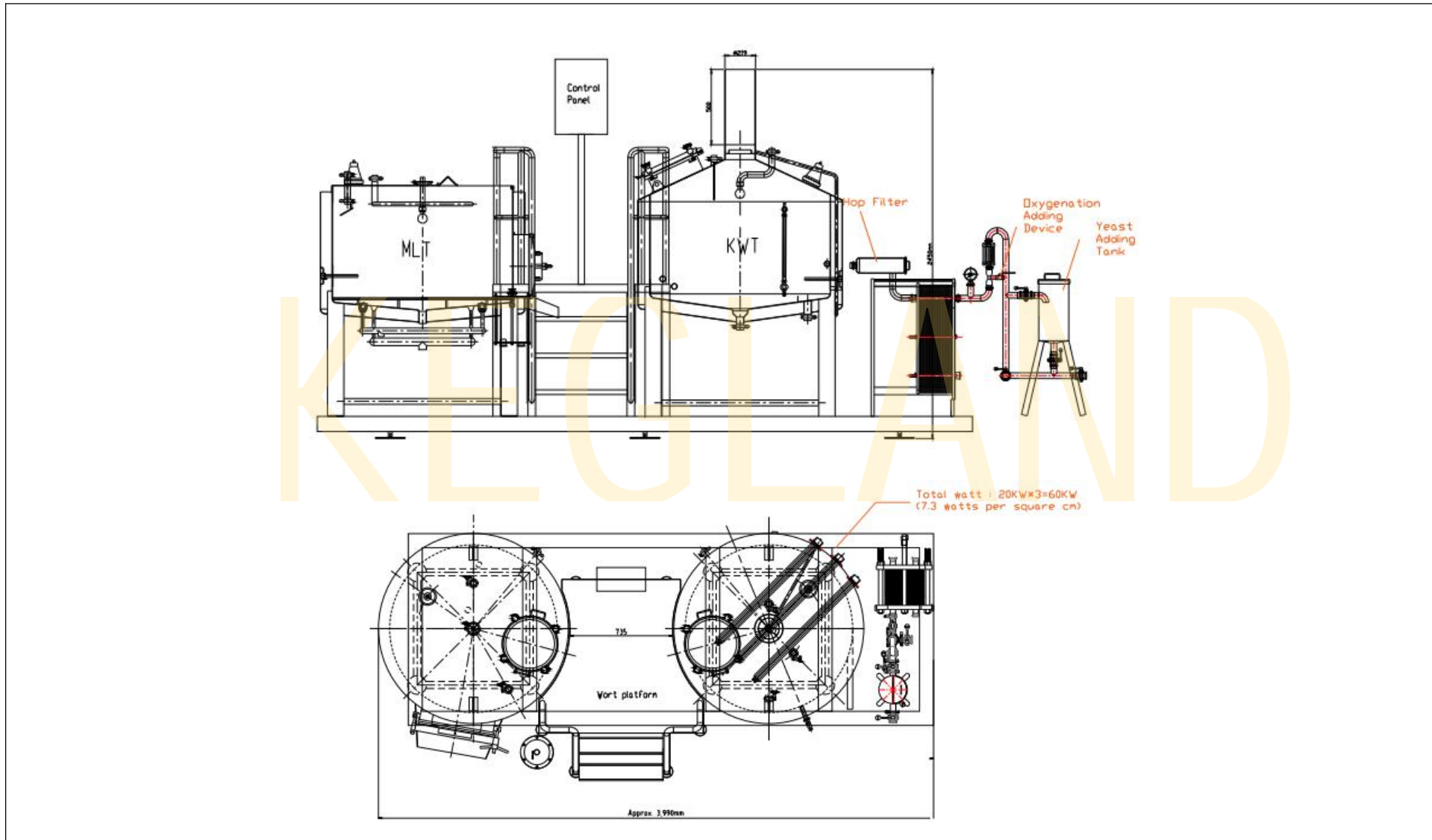




- This 200L brewery has been designed for micro-breweries and brewpubs that want power, control and consistency. This very capable 3 vessel system will enable you to brew a large range of beer styles with high repeatability.
- The BrewZilla 200L - 3 Vessel Brewery is a premium brewery that comes fully inclusive with pumps, plate chiller, controllers and internal plumbing.
- Unlike other brewery types that are made from repurposed cooking pots this 200L system has been purpose built with cone shaped tanks so they drain out completely, work well with CIP cleaning and improve efficiencies in the brewhouse.
- The control panel on the brewery gives you a high level of accurate temperature control so you can hit mash temperatures exactly and achieve extreme brewing consistency.
- The mash tun door makes it very easy to clean out the mash tun directly into a wheelbarrow or waste bin.
- The low watt density elements will enable you to brew even very high gravity beers without the risk of scorching.
- The included plate chiller is one that can be disassembled for easy and thorough cleaning and comes included in the package.
- The pump is a high chemically resistant pump that is not only suitable for pumping boiling hot wort at high duty cycle but also for pumping strong acids and caustic substances that are regularly used in the brewing industry.
- We have also designed the kettle with a 4inch tri-clover chimney. This enables you to fit the 4inch range of bubble capper pot and reflux stills that we have available.
- So if you are looking for a very capable, powerful and professionally built brewery forget about the other toys that you see out there and get the BrewZilla 200L.



## N021. KL13444 600L (6HL) Brewhouse





- The 6HL (600 Litre) system is the logical choice system designed specially for small to medium sized micro-breweries that want to produce on a commercial scale with a relatively compact footprint and have the flexibility to brew a large range of styles.







## ● Related Accessories



Sampling Valve



Sampling Valve  
(Optional)



Sampling Valve  
(Optional)



Sampling Coil  
(Optional)



Pull Lock Butterfly Valve  
( $\Phi$ 38)



Pull Lock Butterfly Valve  
( $\Phi$ 51)



Squeeze Butterfly Valve  
( $\Phi$ 38)



Squeeze Butterfly Valve  
( $\Phi$ 51)





Clamp



EPDM Gasket



Gate Valve



Internal/External Calandria



Spray Flow Loop



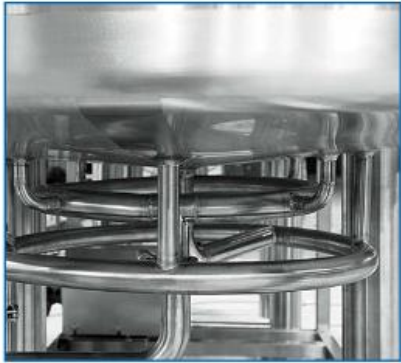
360° Coverage Spraying Ball



Y Type Hops Filter  
( $\leq 200L$ )



Pipeline Sight Glass



Wort Collect Ring



Solenoid Valve



Wort Pump



Pump Seal



Ice Water Pipe Filter



Solenoid Valve



Ball Valve



Glycol Water Pump



Diaphragm-seal Gauge



Spunding Valve  
(Optional)



Spunding Valve  
(Optional)



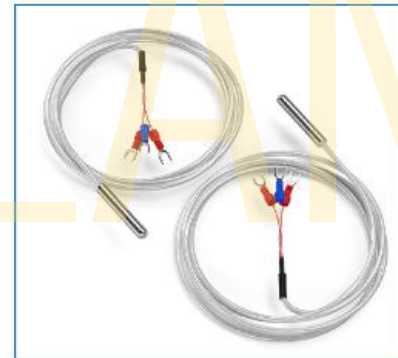
Flow Meter  
(Optional)



Breather Valve



Steam Pressure Gauge

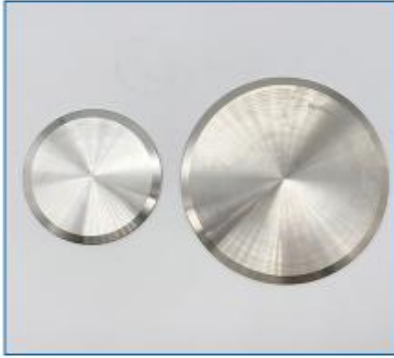


PT100 Temperature Sensor



Rotating Racking Arm





Sanitary Cap



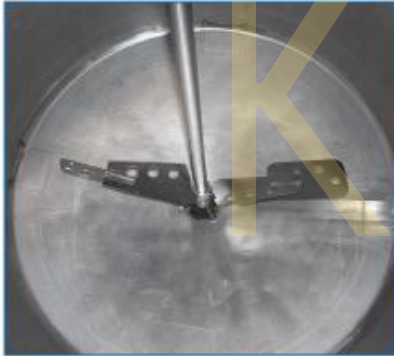
Wheel



Wheel With Shaft



Stainless Steel Keg



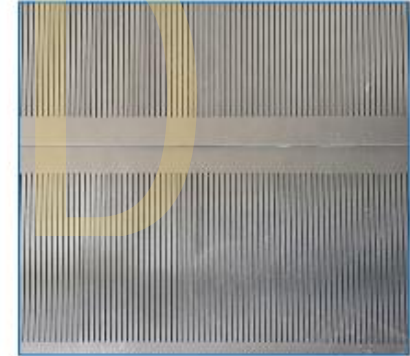
Multihole Agitator With VFD



Raker



Powerful Rake With Dozer



Sieve



Relay



Skidproof Working Platform



Glass Manhole



Pneumatic Sanitary Valve



**KL15523** FC NUKATAP  
**KL19989** 1.5 inch Tri-Clover Beer  
Shank Sampling Valve/Tap

KEGLAND









**Thank you for your time! Any questions feel easy to contact us!**